

Company Introduction

We are a professional manufacturer specializing in furniture hardware parts and accessories since 1989.
OEM & ODM orders are welcome !!

Anderson Lin



Index



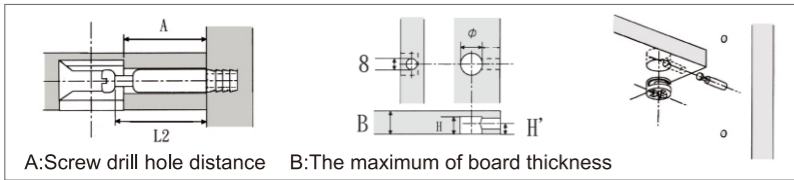
- 1-9 Mini-Fix And Connector Series
- 10-22 Hinge
- 23-29 Slide
- 30-34 Castor And Sliding Door Fitting
- 35-39 Catch
- 40-42 Other Plastics Fittings
- 43-45 Board Support Series
- 46-49 Hardware for TV & BED
- 50-52 Adjustable Leg & Table Leg
- 53-57 Handle & knob



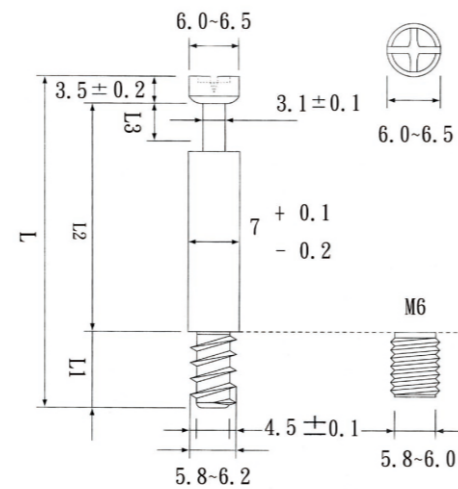
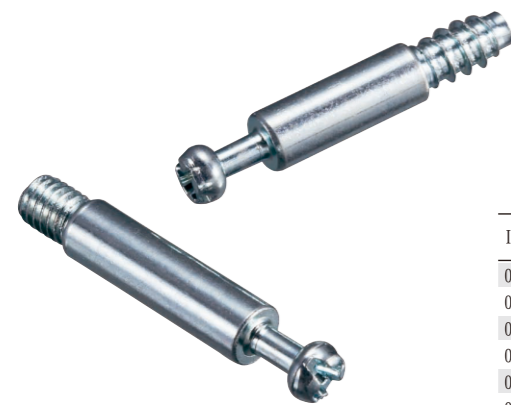


Bolt

Bolt



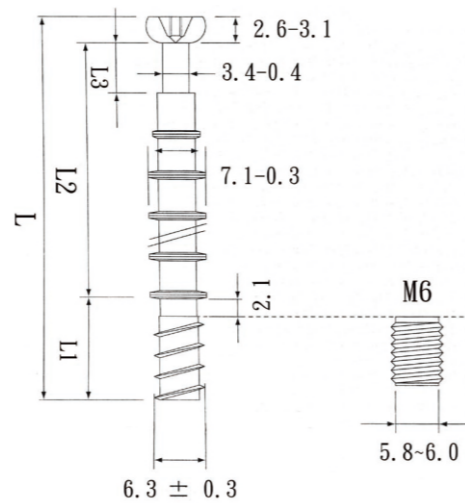
0050



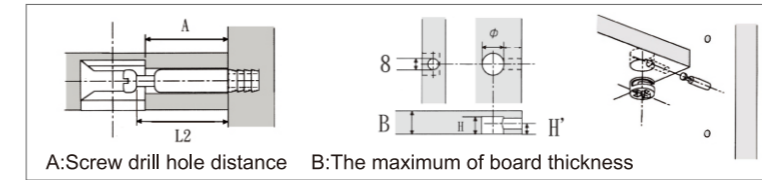
ITEM NO.	L2 (mm)	L1 (mm)	L (mm)	L3 (mm)	A (mm)	Weight (g)	Packing (pcs)
0050M-20-0	20.5±0.2	M6X8	31.5	5.5±0.2	24	6.8	1000
0050M-24-0	24.5±0.2	M6X8	35.5	5.5±0.2	28	8.0	1000
0050M-24-1	24.5±0.2	M6X12	40.0	5.5±0.2	28	8.6	1000
0050M-30-0	30.5±0.2	M6X8	41.5	5.5±0.2	34	9.6	1000
0050T-20-0	20.5±0.2	T. SX12	36.0	5.5±0.2	24	7.2	1000
0050T-20-1	20.5±0.2	T. SX8.5	32.5	5.5±0.2	24	6.8	1000
0050T-20-2	20.5±0.2	T. SX10	35.0	5.5±0.2	24	7.0	1000
0050T-20-3	20.5±0.2	T. SX15	39.0	5.5±0.2	24	7.4	1000
0050T-24-0	24.5±0.2	T. SX12	40.0	5.5±0.2	28	8.8	1000
0050T-30-0	30.5±0.2	T. SX12	46.0	5.5±0.2	34	10.0	1000

A: Screw drill hole distance

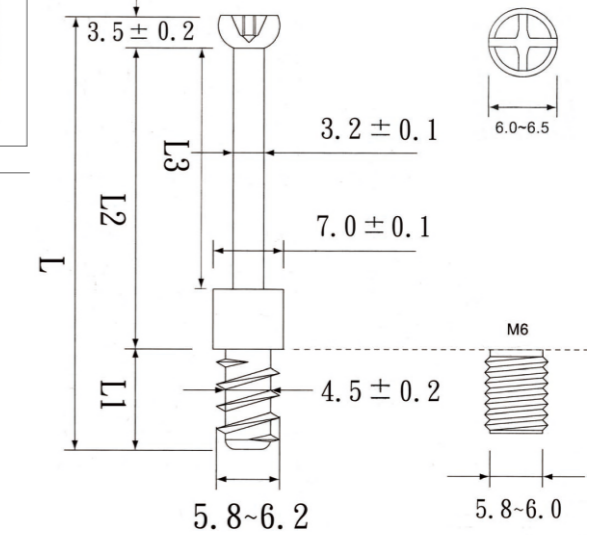
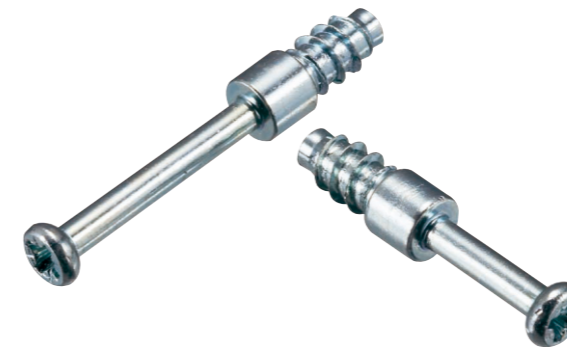
0060



ITEM NO.	L2 (mm)	L1 (mm)	L (mm)	L3 (mm)	A (mm)	Weight (g)	Packing (pcs)
0060T-1	20.3±0.2	T. SX8.9	34	6±0.2	24	4.4	1000
0060T-2	24.3±0.2	T. SX8.9	38	6±0.2	28	5.0	1000
0060T-3	30.3±0.2	T. SX8.9	44	6±0.2	34	5.4	1000
0060M-1	20.3±0.2	M6X8	31	6±0.2	24	4.0	1000
0060M-2	24.3±0.2	M6X8	35	6±0.2	28	4.4	1000
0060M-3	30.3±0.2	M6X8	41	6±0.2	34	4.8	1000

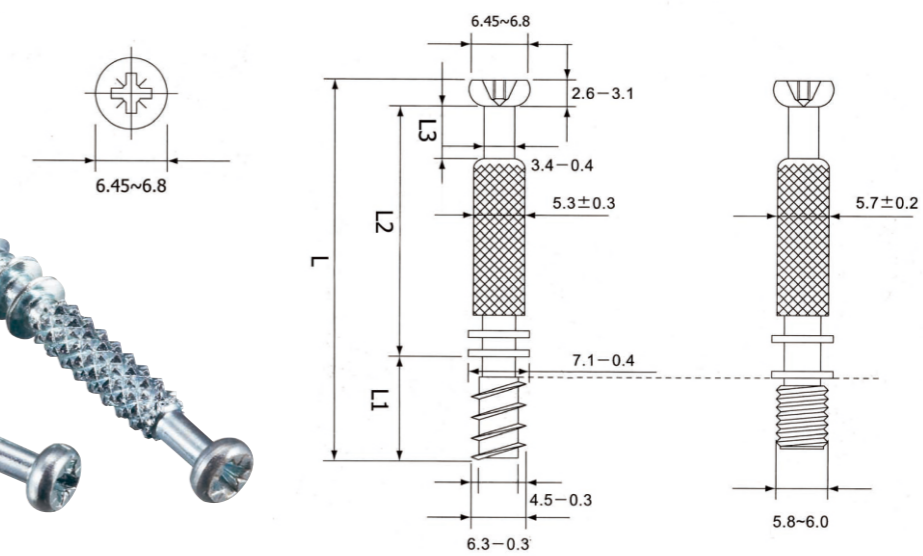
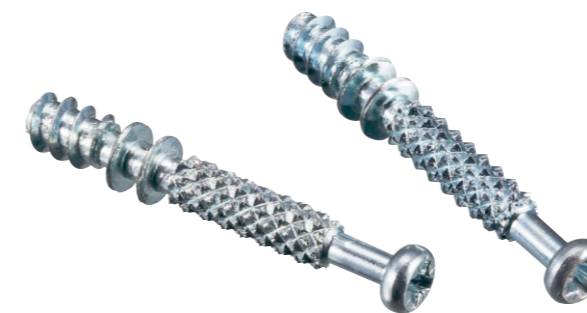


0061



ITEM NO.	L2 (mm)	L1 (mm)	L (mm)	L3 (mm)	A (mm)	Weight (g)	Packing (pcs)
0061T-1	20.3±0.2	T. SX11	34	14±0.2	24	6.0	1000
0061T-2	24.3±0.2	T. SX11	38	18±0.2	28	6.8	1000
0061T-3	30.3±0.2	T. SX11	44	24±0.2	34	7.0	1000
0061M-1	20.3±0.2	M6X8	31	14±0.2	24	4.0	1000
0061M-2	24.3±0.2	M6X8	35	18±0.2	28	4.6	1000
0061M-3	30.3±0.2	M6X8	44	24±0.2	34	5.0	1000

0062

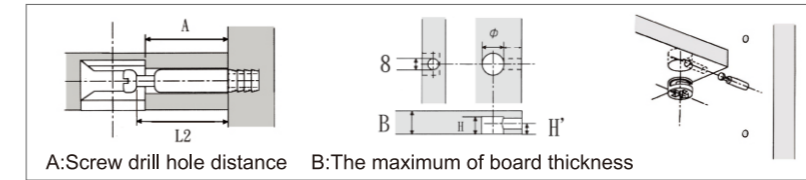
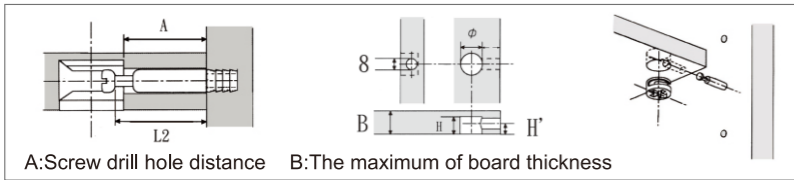


ITEM NO.	L2 (mm)	L1 (mm)	L (mm)	L3 (mm)	A (mm)	Weight (g)	Packing (pcs)
0062T-1	20.3±0.2	T. SX11	34	6±0.2	24	4.4	1000
0062T-2	24.3±0.2	T. SX11	38	6±0.2	28	5.0	1000
0062T-3	30.3±0.2	T. SX11	44	6±0.2	34	5.4	1000
0062M-1	20.3±0.2	M6X8	31	6±0.2	24	4.0	1000
0062M-2	24.3±0.2	M6X8	35	6±0.2	28	4.4	1000
0062M-3	30.3±0.2	M6X8	41	6±0.2	34	4.8	1000

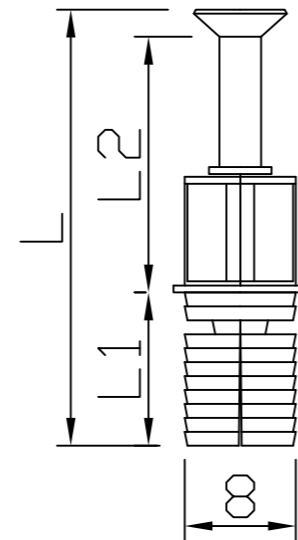


Bolt

Cam/Nut

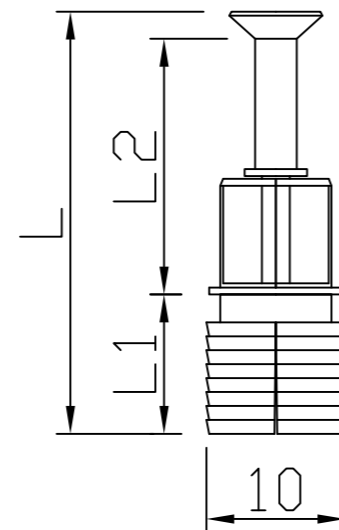


0063



ITEM NO.	L2 (mm)	L1 (mm)	L (mm)	A (mm)	Weight (g)	Packing (pcs)
0063	24	11	31.5	24	3.25	1000

0064



ITEM NO.	L2 (mm)	L1 (mm)	L (mm)	A (mm)	Weight (g)	Packing (pcs)
0064	24	11	32.5	24	3.4	1000

Cam

0050C-12



0050C-14



0051C-12



0051C-10



0052C-12



0052C-14



0052C-16



0052C-19



0070



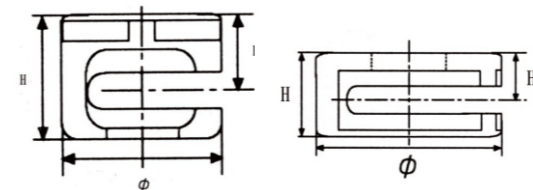
0053C-12



0053C-12



B: The maximum of board thickness



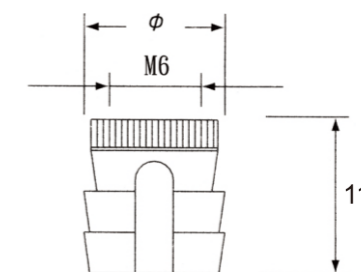
ITEM NO.	H (mm)	Ø (mm)	Weight (g)	B (mm)	H' (mm)	Packing (pcs)
0050C-12	12.5	15	6	16	7.5	1000
0050C-14	14	15	7	19	9.5	1000
0051C-12	12	12	4	15	7.5	1000
0051C-10	10.5	12	3.4	13	6.5	1000
0052C-12	12.5	15	5.5	16	7.5	1000
0052C-14	14	15	7	19	9.5	1000
0052C-16	16	15	6.6	23	11.5	1000
0052C-19	19	15	9.6	29	14.5	1000
0053C-12	12	15	4.25	15	7.5	1000
0053C-12	12	15	4.25	15	7.5	1000
0070C-25	12	25	7.5	16	6.5	1000

Nut

0050PN01



0050PN02



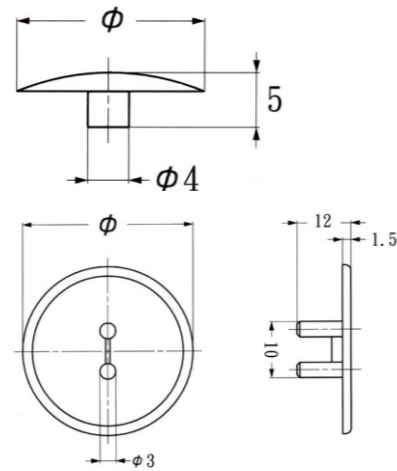
ITEM NO.	Ø (mm)	Packing (pcs)
0050PN01	10	1000
0050PN02	8	1000



Cap/Knock-Down Connector series

Cap

0050PE

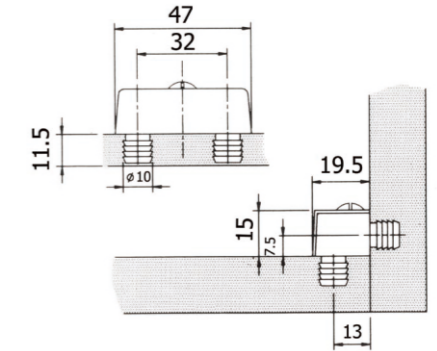


0070PE



ITEM NO.	∅ (mm)	Packing (pcs)
050PE	17	1000
070PE	27	1000

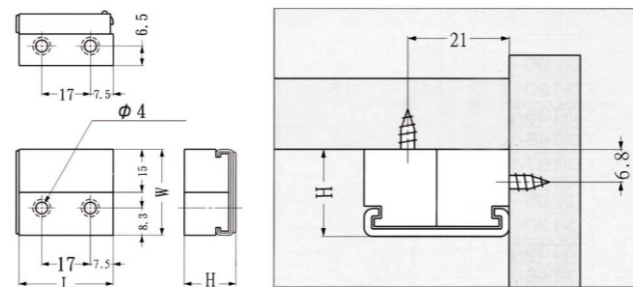
FG0040



ITEM NO.	L (mm)	W (mm)	H (mm)	Color (when inquiry please specify the color)	Packing (SET)
FG0040	47	19.5	15.5	white/brown/black	1000

Cap Knock-Down Connector series

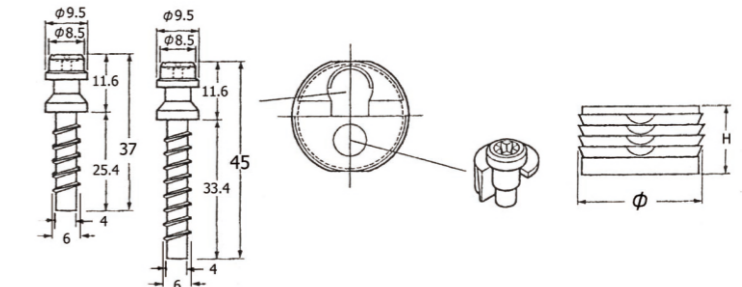
FG0020



ITEM NO.	L (mm)	W (mm)	H (mm)	Color (when inquiry please specify the color)	Packing (SET)
FG0020	32	29	17	white/brown	1000

FG0080-37

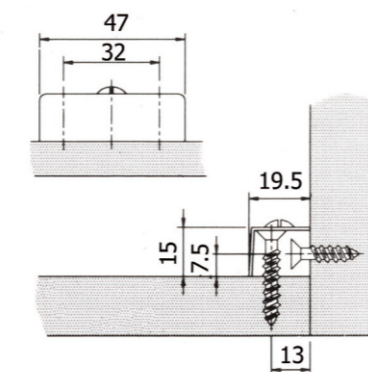
FG0080-45



ITEM NO.	∅ (mm)	H (mm)	Color (when inquiry please specify the color)	Packing (SET)
FG0080-37	25.5	12	white/brown/black	1000
FG0080-45	25.5	12	white/brown/black	1000

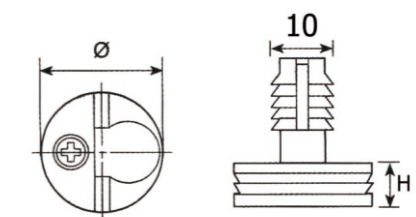
Cap

FG0030



ITEM NO.	L (mm)	W (mm)	H (mm)	Color (when inquiry please specify the color)	Packing (SET)
FG0030	47	19.5	15.5	white/brown/black	1000

FG0080-1

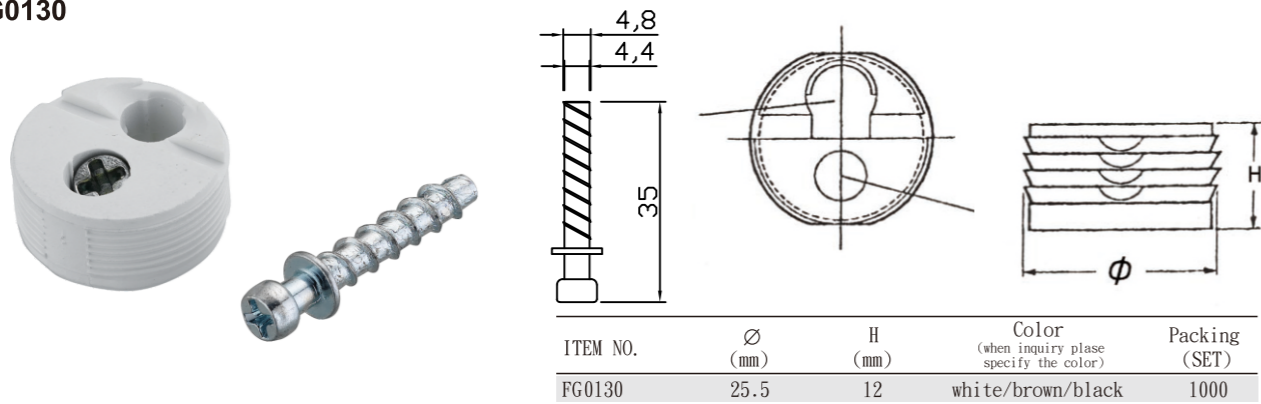


ITEM NO.	∅ (mm)	H (mm)	Color (when inquiry please specify the color)	Packing (SET)
FG0080-1	25.5	12	white/brown/black	1000



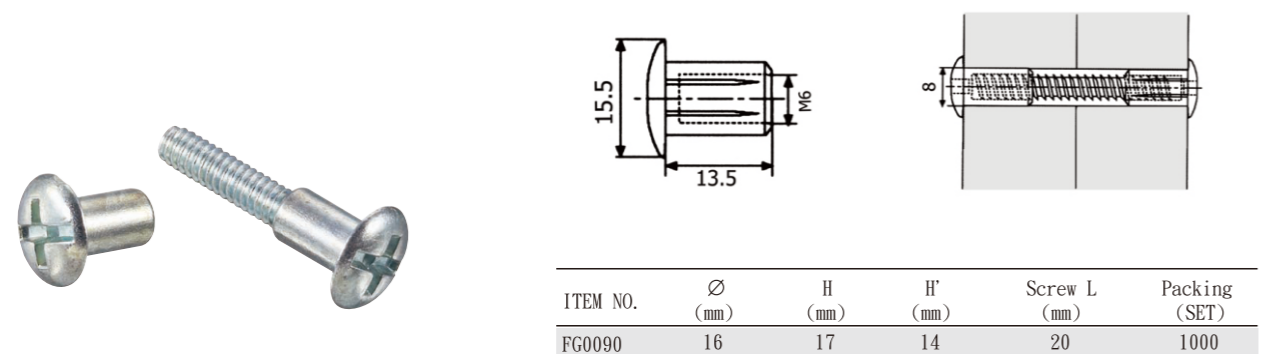
Knock-Down Connector series

FG0130



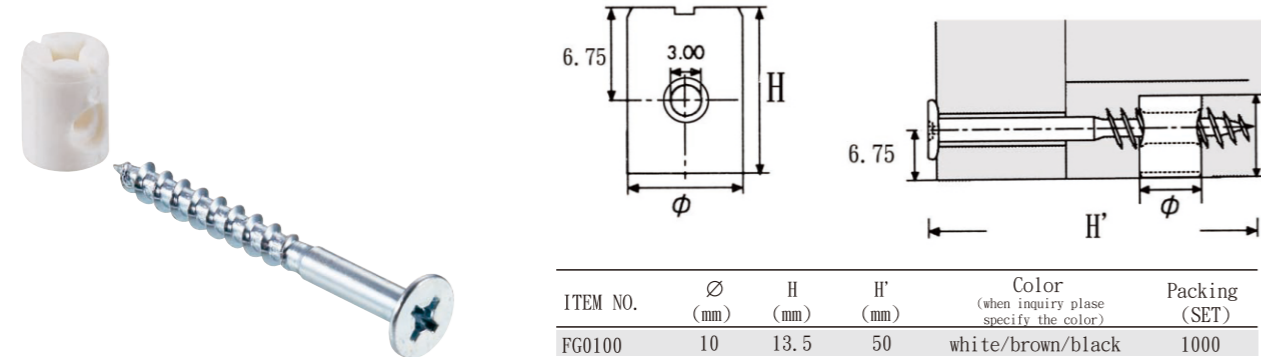
ITEM NO.	∅ (mm)	H (mm)	Color (when inquiry please specify the color)	Packing (SET)
FG0130	25.5	12	white/brown/black	1000

FG0090



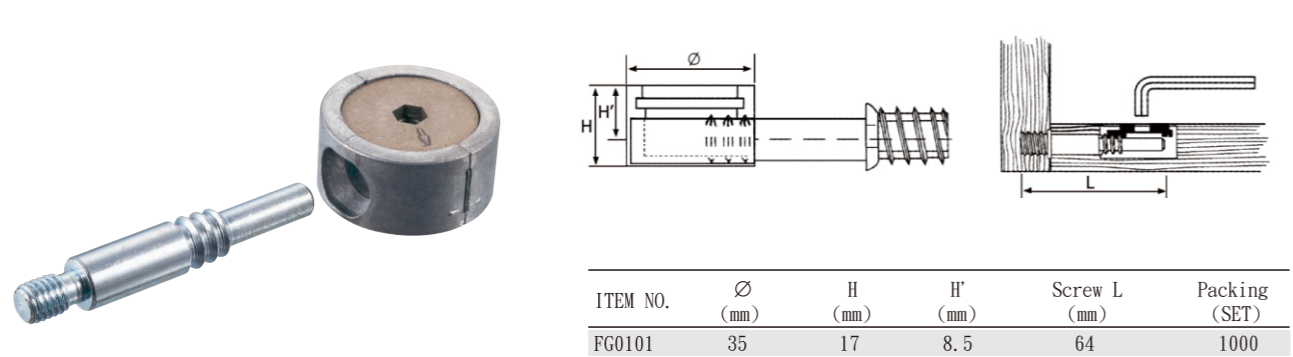
ITEM NO.	∅ (mm)	H (mm)	H' (mm)	Screw L (mm)	Packing (SET)
FG0090	16	17	14	20	1000

FG0100



ITEM NO.	∅ (mm)	H (mm)	H' (mm)	Color (when inquiry please specify the color)	Packing (SET)
FG0100	10	13.5	50	white/brown/black	1000

FG0101

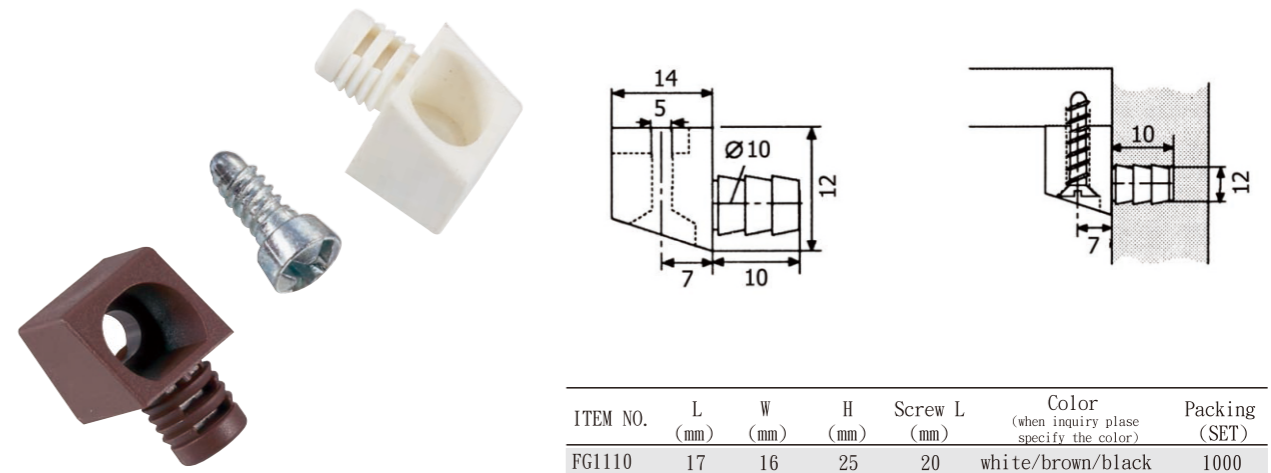


ITEM NO.	∅ (mm)	H (mm)	H' (mm)	Screw L (mm)	Packing (SET)
FG0101	35	17	8.5	64	1000



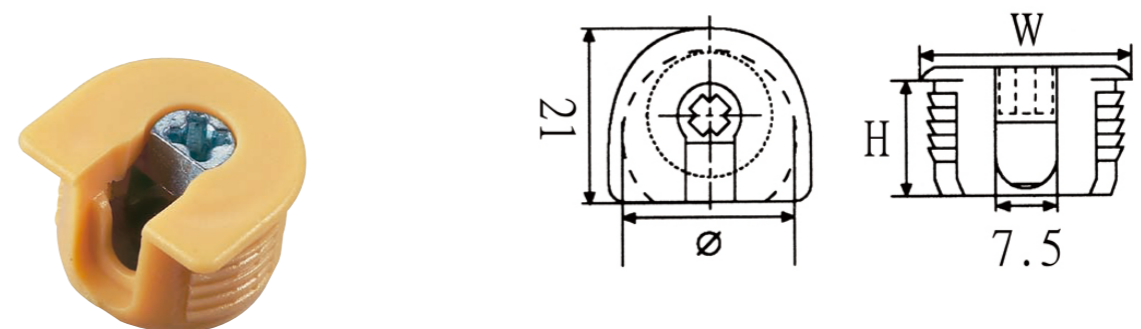
Knock-Down Connector series

FG1110



ITEM NO.	L (mm)	W (mm)	H (mm)	Screw L (mm)	Color (when inquiry please specify the color)	Packing (SET)
FG1110	17	16	25	20	white/brown/black	1000

FG1111-12



ITEM NO.	∅ (mm)	W (mm)	H (mm)	Screw L (mm)	Color (when inquiry please specify the color)	Packing (SET)
FG1111-12	20	23	12	20	White/Brown/Black/Cherry/Yellowish	1000

FG1112-Screw

