

Hardware for TV & BED

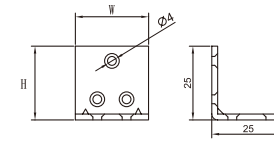
Hardware for TV & BED



Metal bracket

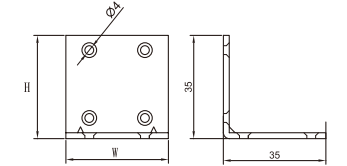


I-01



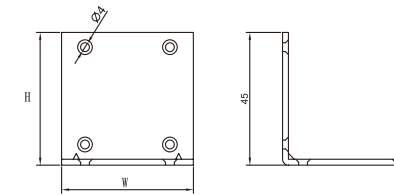
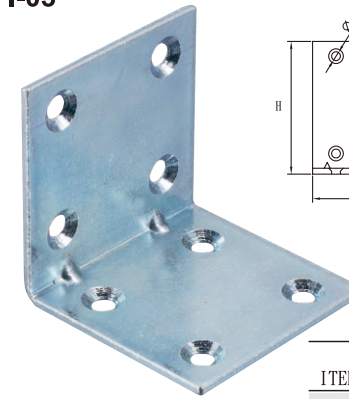
ITEM NO.	W (mm)	H (mm)	Weight (g)
I-01	25	25	16.4

I-02



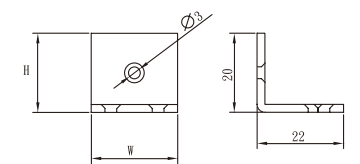
ITEM NO.	W (mm)	H (mm)	Weight (g)
I-02	35	35	32.8

I-03



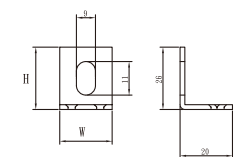
ITEM NO.	W (mm)	H (mm)	Weight (g)
I-03	45	45	57.4

I-04



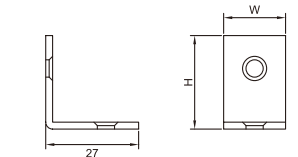
ITEM NO.	W (mm)	H (mm)	Weight (g)
I-04	22	20	11.4

I-05



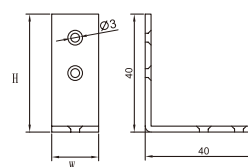
ITEM NO.	W (mm)	H (mm)	Weight (g)
I-05	22	26	12.2

I-06



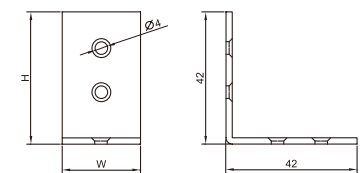
ITEM NO.	W (mm)	H (mm)	Weight (g)
I-06	19	22	13.2

I-07



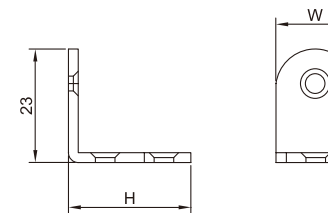
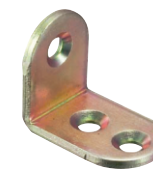
ITEM NO.	W (mm)	H (mm)	Weight (g)
I-07	16	40	17.8

I-08



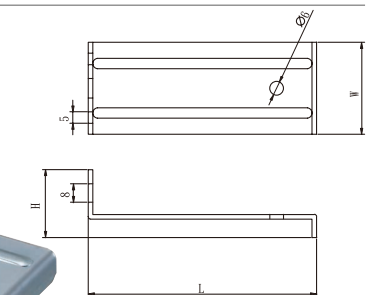
ITEM NO.	W (mm)	H (mm)	Weight (g)
I-08	25	42	30.8

I-09



ITEM NO.	W (mm)	H (mm)	Weight (g)
I-09	16	25	9

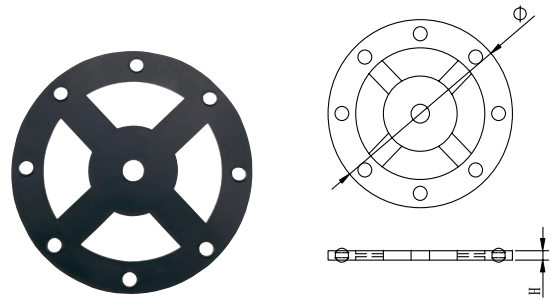
I-10



ITEM NO.	W (mm)	H (mm)	L (mm)	Weight (g)
I-10	40	29.5	100	53.1

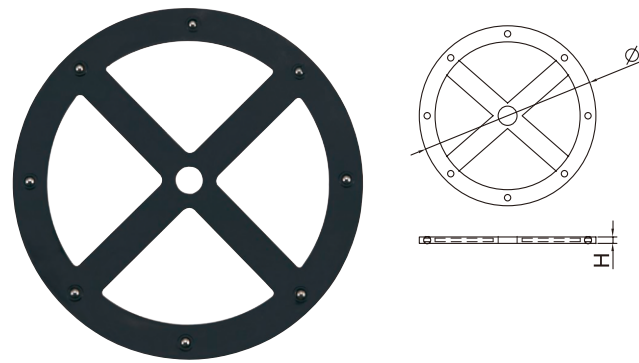
TV-Swivel/Bed Hinge

TS-01P



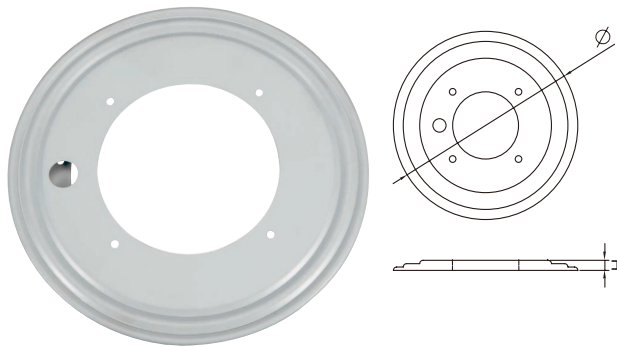
ITEM NO.	H (mm)	Ø (mm)	Weight (g)
TS-01P	2	135	19.0

TS-02P



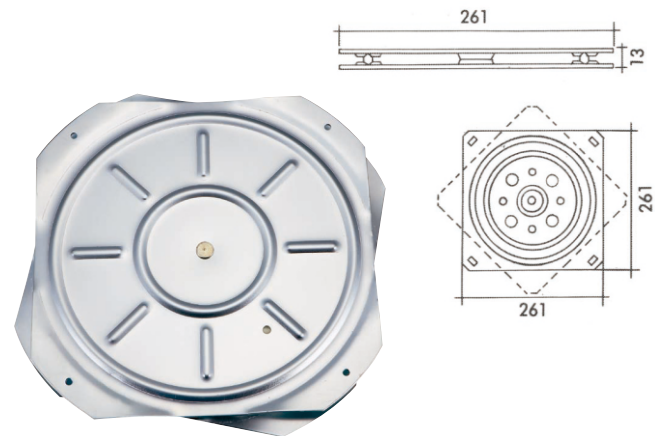
ITEM NO.	H (mm)	Ø (mm)	Weight (g)
TS-02P	2	200	42.8

TS-03



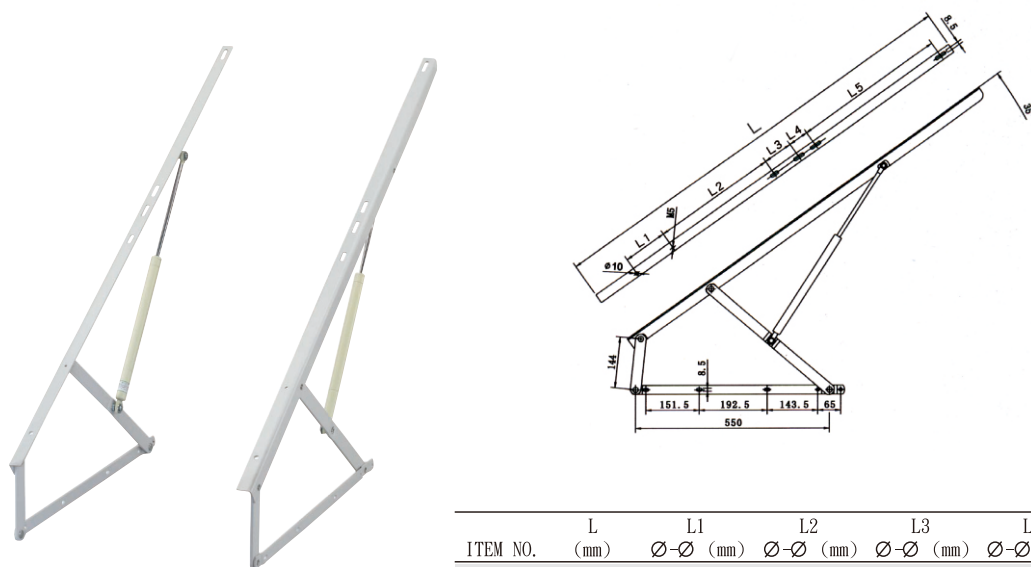
ITEM NO.	H (mm)	Ø (mm)	Weight (g)
TS-03	9	200	386.4

TS-04



ITEM NO.	H (mm)	Ø (mm)	Weight (g)
TS-04	13	261.0	1635

BH01-3

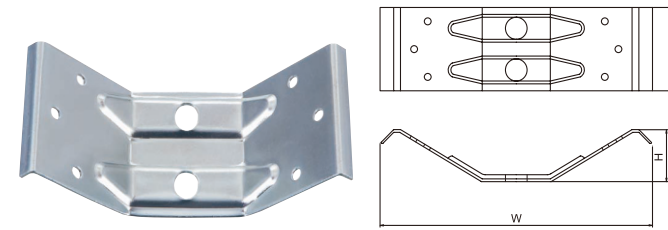


ITEM NO.	L (mm)	L1 (mm)	L2 (mm)	L3 (mm)	L3 (mm)	L3 (mm)	Weight (kg)
BH01-3	3' (915)	175	355	84.5	57.5	136.5	5.8
BH02-4	4" (1220)	170	355	84.5	57.5	136.5	8



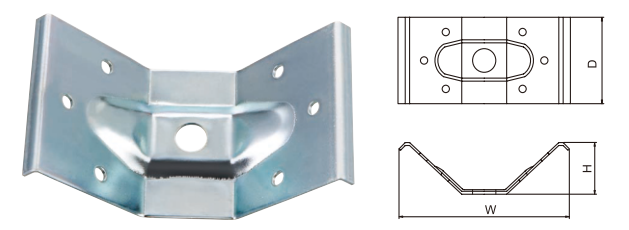
Table Cornner

G01



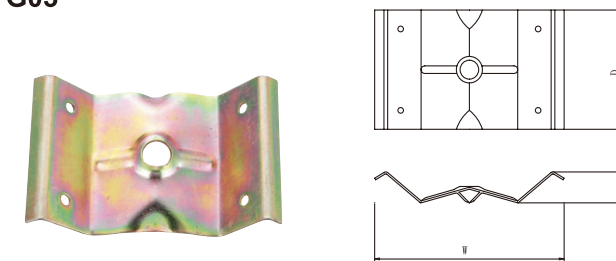
ITEM NO.	W (mm)	H (mm)	D (mm)	Weight (g)
G01	200	37.5	60.0	110

G02



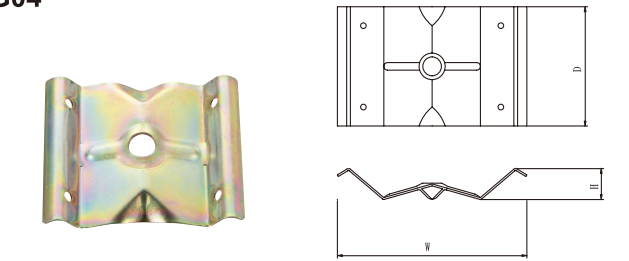
ITEM NO.	W (mm)	H (mm)	D (mm)	Weight (g)
G02	110	35.0	58.5	91

G03



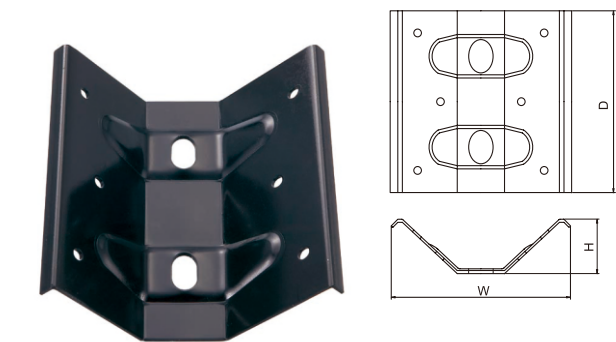
ITEM NO.	W (mm)	H (mm)	D (mm)	Weight (g)
G03	100	16.0	63.0	66

G04



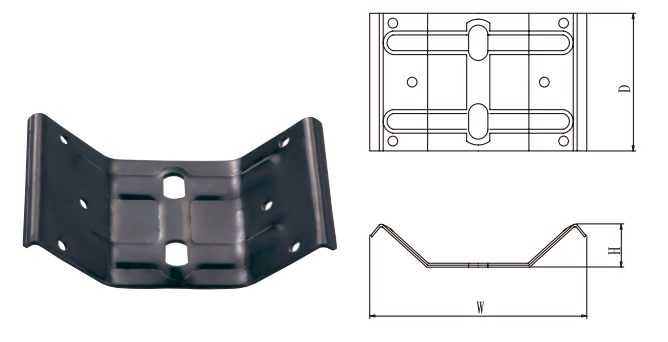
ITEM NO.	W (mm)	H (mm)	D (mm)	Weight (g)
G04	78	9.0	63.0	47

G05



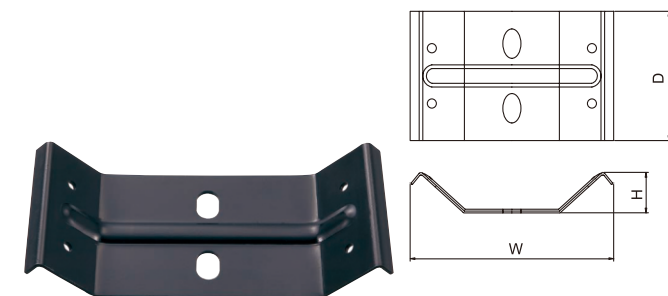
ITEM NO.	W (mm)	H (mm)	D (mm)	Weight (g)
G05	110	35.0	120.0	190

G06



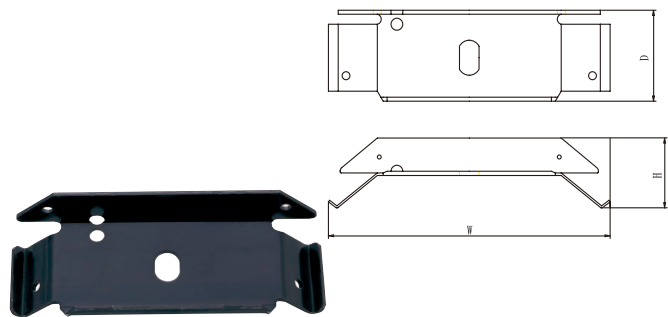
ITEM NO.	W (mm)	H (mm)	D (mm)	Weight (g)
G06	120	29.0	65.5	69

G07-1



ITEM NO.	W (mm)	H (mm)	D (mm)	Weight (g)
G07	117	21.5	70.0	190
G07-1	158	22.5	70.0	190

G08



ITEM NO.	W (mm)	H (mm)	D (mm)	Weight (g)
G068	130	35.0	45.5	122