



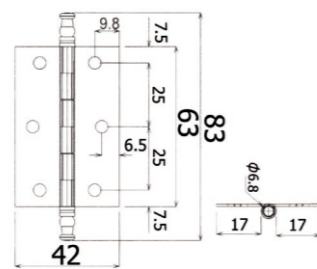
Hinge

Spring-Hinge/Frog-Hinge/Drill In Concealed Hinge

Slide

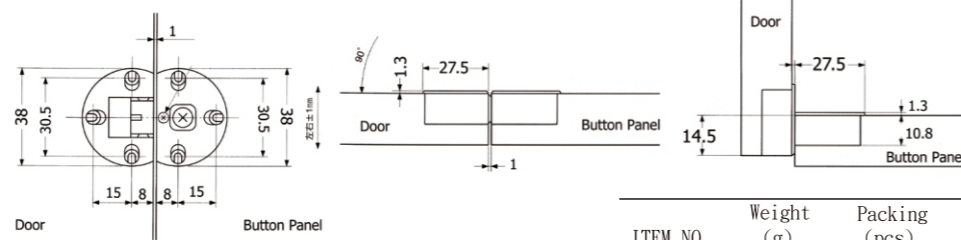
Spring-Hinge

SH-11



ITEM NO.	Weight (g)	Packing (pcs)
SH-11	65.8	1000

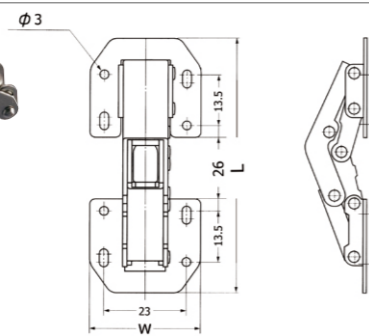
SH-12



ITEM NO.	Weight (g)	Packing (pcs)
SH-12	56	1000

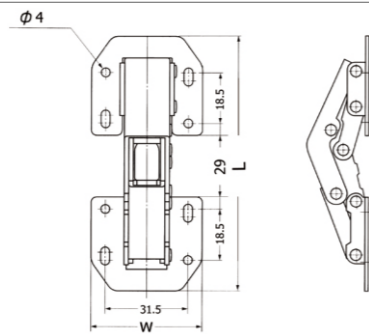
Frog-Hinge

HF01



ITEM NO.	L (mm)	W (g)	Packing (pcs)
HF01	82	31	1000

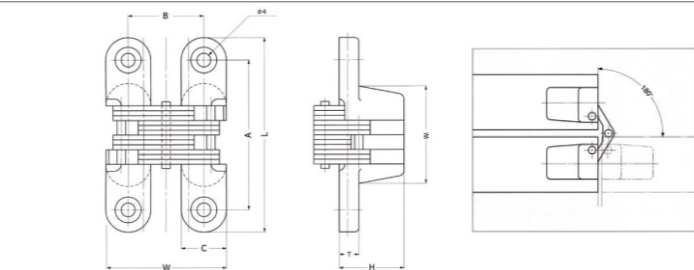
HF02



ITEM NO.	L (mm)	W (g)	Packing (pcs)
HF02	105	42	500

Drill In Concealed Hinge

HS01



ITEM NO.	L (mm)	W (mm)	A (mm)	B (mm)	C (mm)	T (mm)	W1 (mm)	H (mm)	Packing (pcs)
HS01	44.0	34.0	31.0	23.0	12.5	5.0	18.0	18.5	200
HS02	60.0	34.5	47.5	21.5	12.5	6.0	37.0	17.5	200
HS03	94.0	52.0	77.5	32.0	18.5	9.0	52.0	27.0	200





Slide

Drawer Slide Set

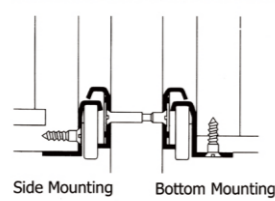
Fix-Closing Drawer Slide

602



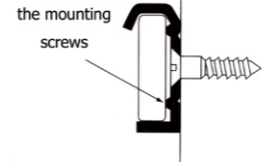
ITEM NO.	Size (mm)	Load Rating Weight(kg)
602	250(10")	10
	300(12")	10
	350(14")	10
	400(16")	10
	450(18")	10
	500(20")	10
	550(22")	10

Drawer profiles are pre-drilled for side or bottom screw attachment

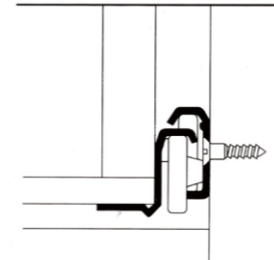


Drawer Box Attachment

Guide ribs prevent rollers from touching the mounting screws



Cabinet Profile Guide Ribs



Drawer Bottoms Fit Tight

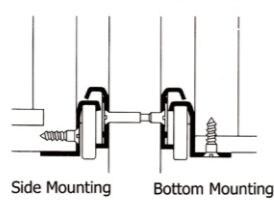
Self-Closing Drawer Slide

604



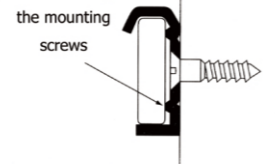
ITEM NO.	Size (mm)	Load Rating Weight(kg)
604	250(10")	10
	300(12")	10
	400(16")	10
	450(18")	10
	500(20")	10
	550(22")	10

Drawer profiles are pre-drilled for side or bottom screw attachment

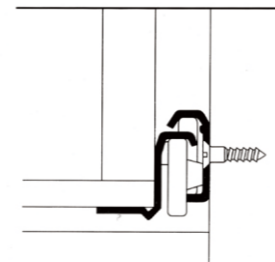


Drawer Box Attachment

Guide ribs prevent rollers from touching the mounting screws



Cabinet Profile Guide Ribs



Drawer Bottoms Fit Tight

Slide



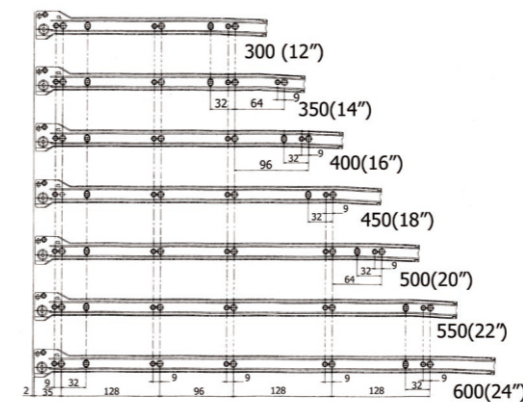
Drawer Slide Set

Green Wheel Self-Closing Drawer Slide

2606



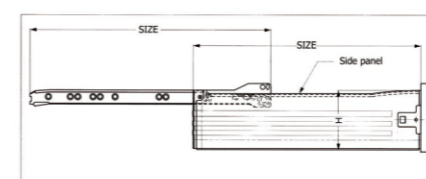
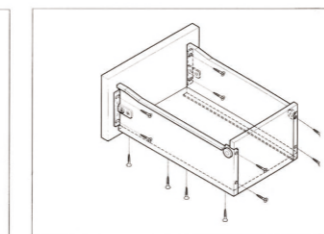
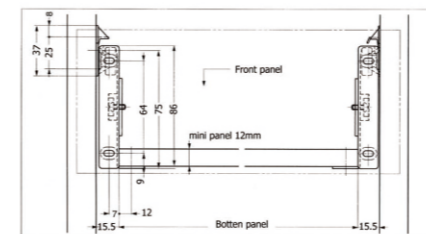
Reduce the noise when opening and closing the drawer.



ITEM NO.	Size (mm)	Load Rating Weight(kg)
2606	250(10")	10
	300(12")	10
	350(14")	10
	400(16")	10
	450(18")	10
	500(20")	10
	550(22")	10

Metal Box Drawer Slide

2607



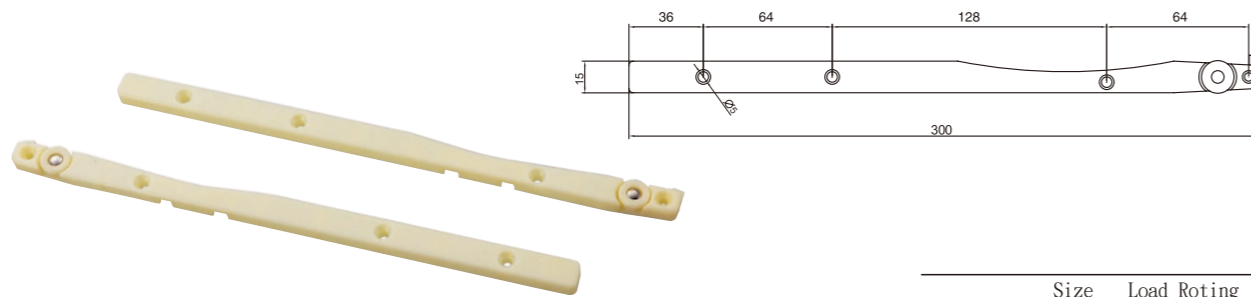
ITEM NO.	Size (mm)	H (mm)	Load Rating Weight(kg)
2607	300(12")	86, 118, 150	20
	350(14")	86, 118, 150	20
	400(16")	86, 118, 150	20
	450(18")	86, 118, 150	20
	500(20")	86, 118, 150	20
	550(22")	86, 118, 150	20



Slide

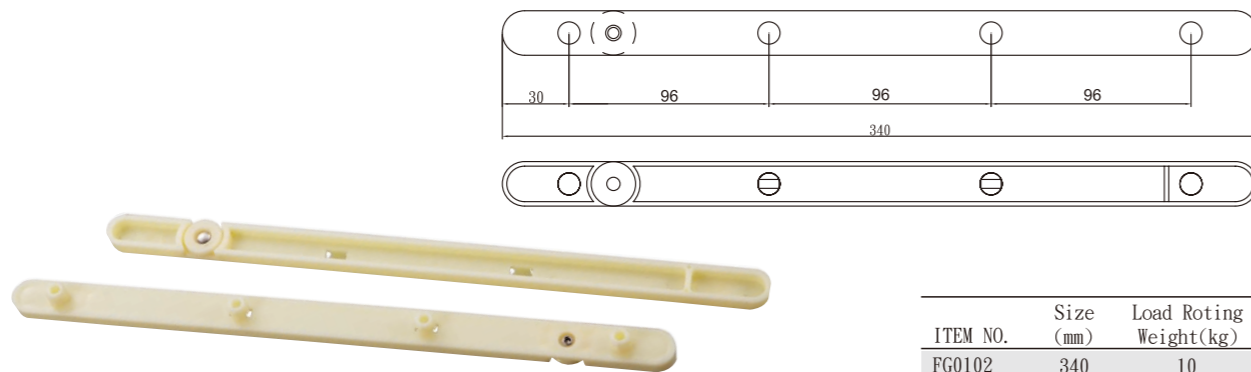
Plastic Slide

FG0101



ITEM NO.	Size (mm)	Load Rating Weight(kg)
FG0101	300	10

FG0102



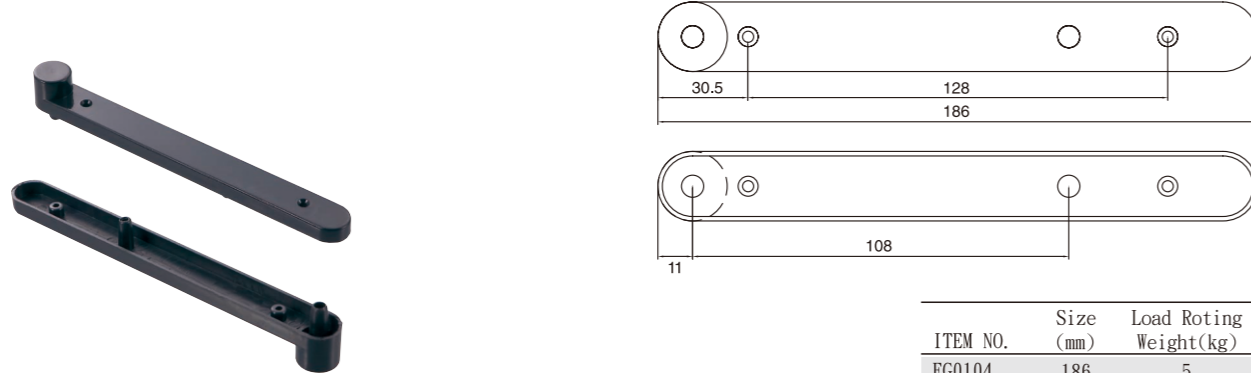
ITEM NO.	Size (mm)	Load Rating Weight(kg)
FG0102	340	10

FG0103



ITEM NO.	Size (mm)	Load Rating Weight(kg)
FG0103	280	5

FG0104



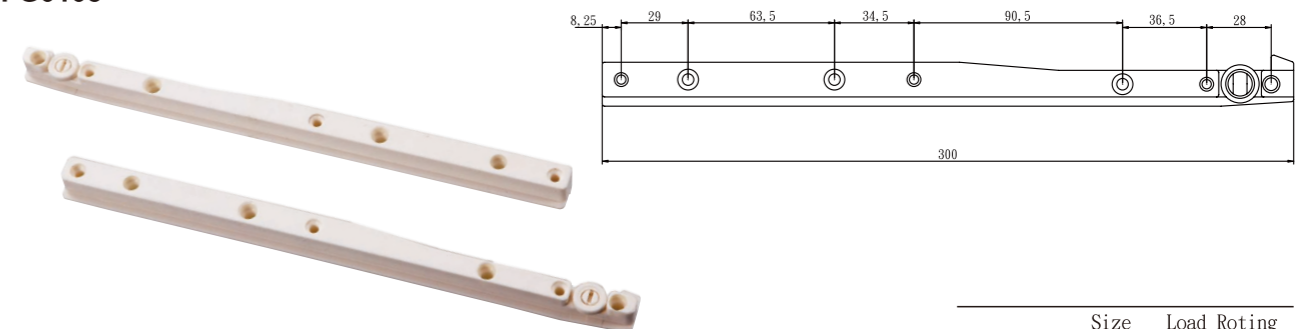
ITEM NO.	Size (mm)	Load Rating Weight(kg)
FG0104	186	5

Slide



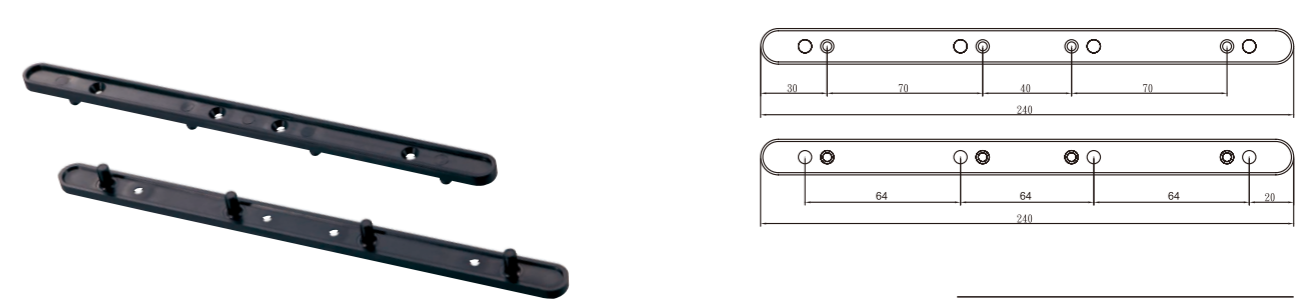
Plastic Slide

FG0105



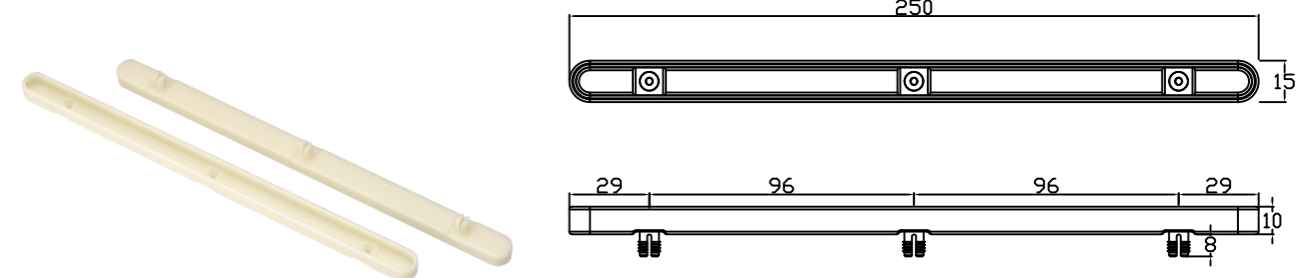
ITEM NO.	Size (mm)	Load Rating Weight(kg)
FG0105	300	10

FG0106



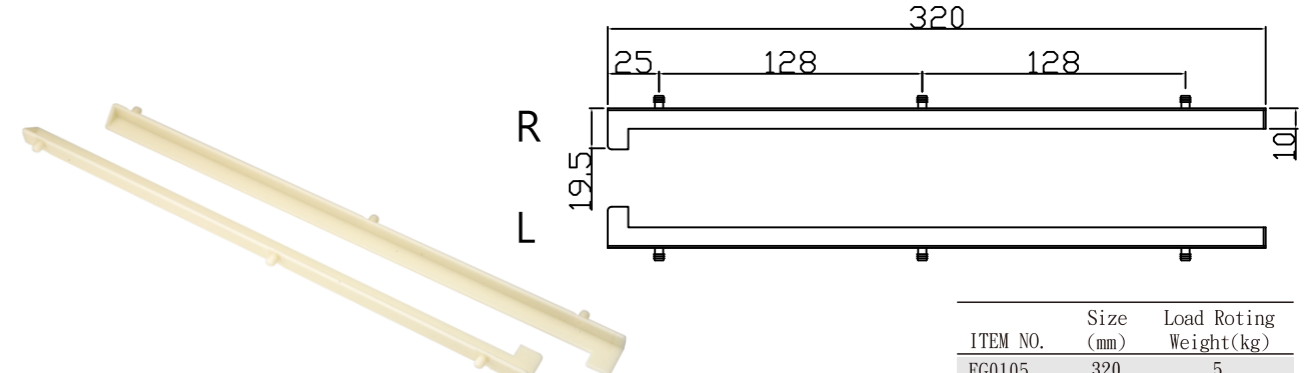
ITEM NO.	Size (mm)	Load Rating Weight(kg)
FG0105	240	5

FG0107



ITEM NO.	Size (mm)	Load Rating Weight(kg)
FG0105	250	5

FG0108



ITEM NO.	Size (mm)	Load Rating Weight(kg)
FG0105	320	5